

# Changeover Valves

## Type 06510 - Diverter Valve



**Cryogenic Diverter Valves, bronze, PN50**  
for the installation of two safety valves,  
provided for bursting disc connections,  
"cleaned and degreased for oxygen service"

**Part No. 06510.X.0120**

Female thread connection (G) acc. to ISO 228/1

**Part No. 06510.X.6000**

Female thread connection NPTF acc. to ANSI B 1.20.3

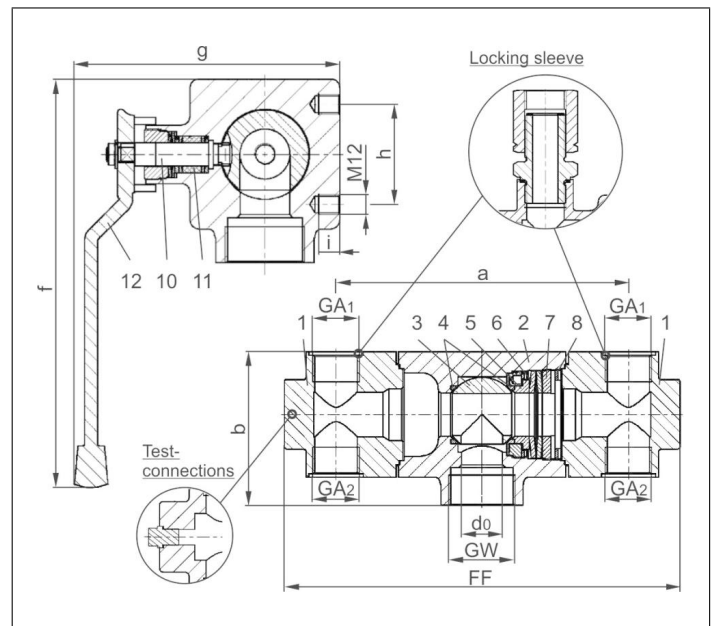
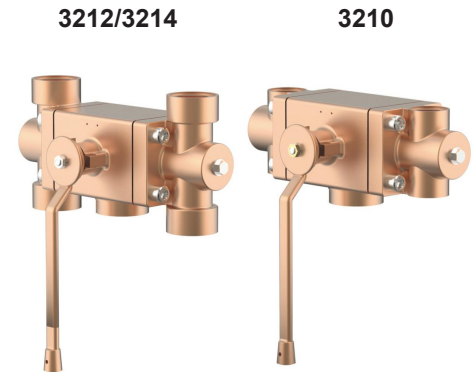
Available Options - on request only:

- Inlet with union type braze or butt weld fitting
- Two extra test connections 1/4" edgeways
- Outlet GA<sub>1</sub> with installed locking sleeve for easy positioning of safety valves
- Combination of different outlet threads GA<sub>1</sub> - GA<sub>2</sub>
- **Safety lock (Part No. 55394.0049.0765)**

**Applications:**

Approved for air gases, vapours and cryogenic liquefied gases incl. LNG.  
Working temperature: -196°C / -321°F (77K) up to +120°C / +248°F (393K)

Materials	DIN EN	ASTM
1 Body I	CC491K	B 62 UNS C83600
2 Body II	CC491K	B 62 UNS C83600
3 Ball	1.4571	A 276 Grade 316Ti
4 Seat rings	PCTFE	
5 Bush	CW614N	B 283 UNS C38500
6 Spring plates	1.4571	A 313 Grade 316Ti
7 Spring clamp	CW614N	B 283 UNS C38500
8 Thread ring	CW614N	B 283 UNS C38500
10 Stem	1.4301	A 276 Grade 304
11 Gland packing	Graphit / PTFE	
12 Lever	CC491K	B 62 UNS C83600



Standard marking acc. to Pressure Equipment Directive 2014/68/EU (PED).



Type 06510 - Standard design	Technical data			
Nominal size	DN	32	32	32
Dimension code	.X.	3210	3212	3214
Flow diameter	d <sub>0</sub>	30	30	30
Inlet	GW	1-1/2	1-1/2	1-1/2
Outlet	GA <sub>1</sub>	1	1-1/4	1-1/2
Outlet	GA <sub>2</sub>	1	1-1/4	1-1/2
Face-to-face dimension	FF	300	284	284
Length	a	210	210	210
Height	b	110	145	145
Length	f	245	245	245
Length	g	160	160	160
Length	h	60	60	60
Thread depth	i	12.5	12.5	12.5
Weight	ca. kg	12.2	13.5	13.5
Kvs - Value, one side open	m <sup>3</sup> /h	16.7	16.7	16.7
Cv - Value, one side open	gal /min	19.4	19.4	19.4

Dimensions in mm.

**Important:**

The valves must be fixed at the provided threads M12.